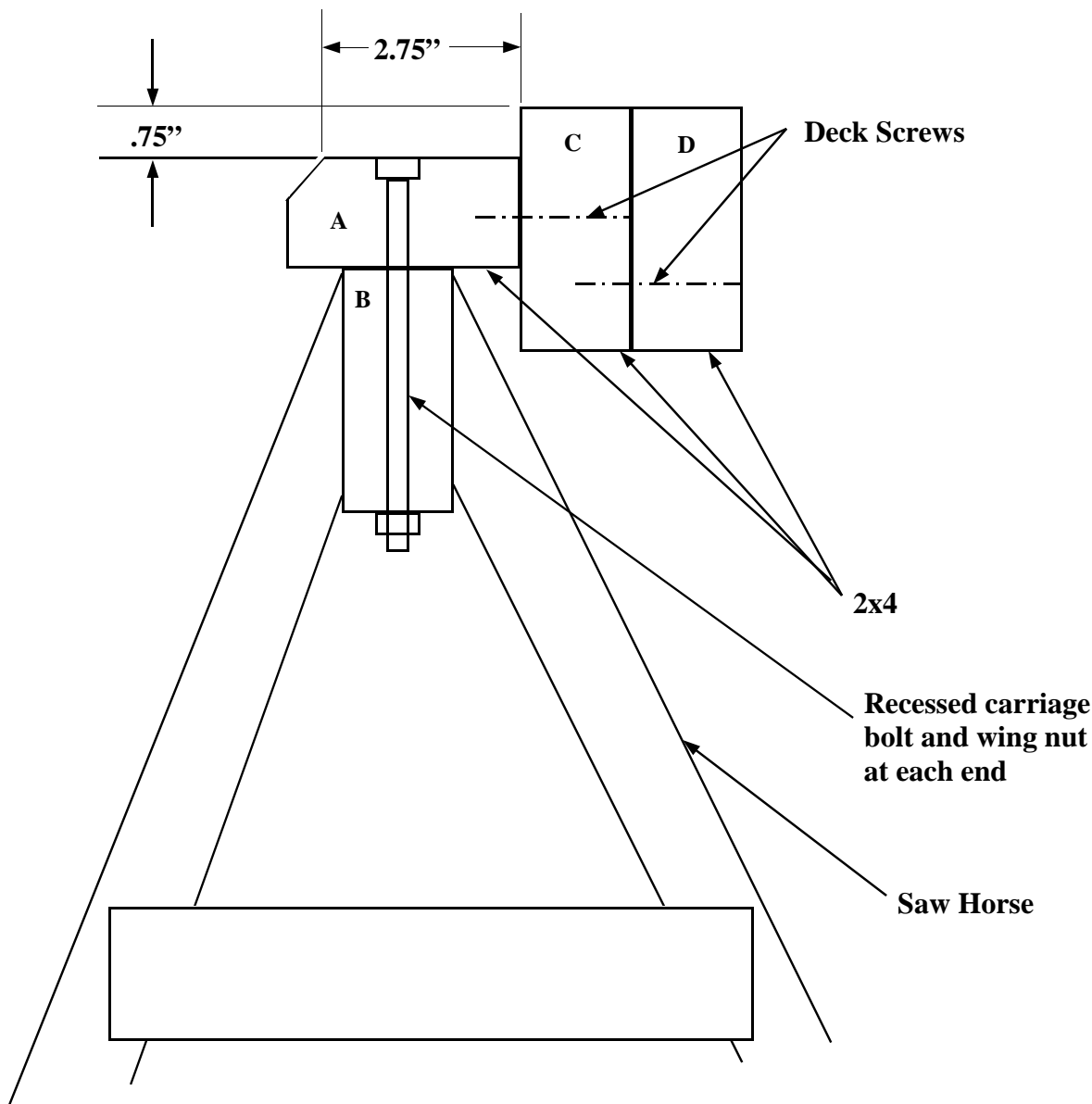


Mr. Completely's Indoor Range Bowling Pin Table

[Http://www.mrcompletely.blogspot.com](http://www.mrcompletely.blogspot.com)



Notes: Overall length of the top part should be 5' (Pieces "A", "C", and "D"). That would allow 12" between pins, with 6" on each end. Piece "B", the top part of the saw horse, only needs to be 4' long. Use only two deck screws to attach the sacrificial piece "D" to piece "C", so it can be easily changed once it starts deteriorating. A cross piece at the bottom of the saw horse legs may be required, so additional weight (cement blocks?) can be piled on to make it steadier. A third sacrificial 2x4 may be needed on the front.

The top surface of the pin table should be narrow enough that a bowling pin on it's side will roll off, to eliminate ricochets going upwards into the ceiling or over the range berm.

With 12" pin spacing and a distance of 25', there will be some REALLY fast times!

NOTICE: This is a 'Concept' drawing of a yet un-built and un-tested design.
We assume NO liability if you build it and manage to hurt yourself with it somehow.